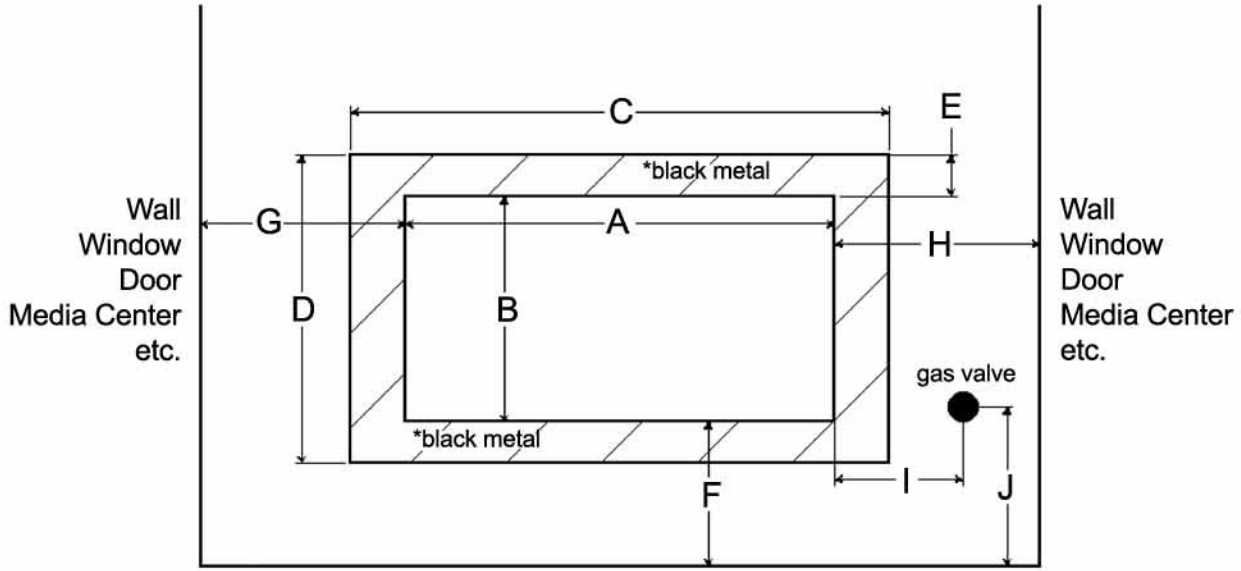




Seawright Custom Precast, Inc.

# Fireplace Dimension Sheet



By providing us with the following dimensions, we will be able to create a computer drawing of the chosen fireplace design reflecting your fireplace size and available wall space. This drawing will #1) allow us to determine if a particular fireplace will fit your available space, #2) allow you to determine if you like the design relative to your available space, and #3) give you the option to modify or move parts of the fireplace surround.

Since the precast fireplace is cast in standard size pieces, most fireplace surrounds will be cut to fit at the job site by the installers. So, the dimensions may not be critical, but are necessary to determine the overall fit and aesthetics of the fireplace surround.

- |                                  |   |  |
|----------------------------------|---|--|
| _____ A) Firebox opening width.  | _____ E) Black metal (top).                 | _____ I) Gas valve to firebox.           |
| _____ B) Firebox opening height. | _____ F) Firebox opening to finished floor. | _____ J) Gas valve to finished floor.    |
| _____ C) Total firebox width.    | _____ G) Maximum space (left).              | <input type="checkbox"/> Masonry firebox |
| _____ D) Total firebox height.   | _____ H) Maximum space (right).             | <input type="checkbox"/> **Inside pavers |

Additional information

Overall desired dimensions \_\_\_\_\_ Total width \_\_\_\_\_ Total height \_\_\_\_\_ Mantel depth \_\_\_\_\_  
 \_\_\_\_\_ Ceiling height \_\_\_\_\_ Remove existing fireplace \_\_\_\_\_ New home \_\_\_\_\_ Remodel \_\_\_\_\_

\*Not used in masonry fireplaces

\*\* matching concrete pavers/tiles to cover the black metal box